

INTERNATIONAL LTD
THERMAL RESEARCH



OASIS[®] Chinook[™]
Hydronic Heating System by ITR

Chinook Owner's Manual

**Diesel and Electric Heating and Hot Water
System for Recreational Vehicles**

International Thermal Research

IN CANADA:

2431 Simpson Road
Richmond, BC, Canada, V6X 2R2

Tel: 1-800-755-1272

or 604-278-1272

Fax: 604-278-1274

IN THE UNITED STATES:

5305 NE 121st Ave., Suite 401
Vancouver, WA, USA 98682

Tel: 1-800-993-4402

or 360-993-4877

Fax: 360-993-1105

Email: info@itrheat.com

Website: www.itrheat.com

All rights reserved. No part of this manual may be reproduced or transmitted in any form by any means, electronic or mechanical, including photocopying and recording, information storage, retrieval, or transmission, without permission in writing from International Thermal Research

Right to Modify:

Due to our commitment for quality and ongoing product improvement, ITR reserves the right to modify or change without notice, any materials, applications, equipment, accessories, and/or prices. All measurements and weights are approximate.

Copyright © 2018 International Thermal
OASIS® is a registered trademark of International Thermal Research Ltd.

IMPORTANT

Warranty Registration Card

Place
Stamp
Here

Owner's Name _____

Address _____

City _____ State/Prov. _____ Zip/Postal code _____

Telephone _____ Email _____

Motorhome Model _____

Date of Motorhome Purchase _____

Dealer's Name _____ City _____

OASIS Serial Number _____

Owner's Signature _____ Date _____

NOTE: This warranty card must be filled in completely, signed and returned to ITR within 30 days of the initial "in-service" date. This warranty is not transferable by the owner. Make a copy of this page after completion and keep it for your records.

----- Fold Here -----

Place
Stamp
Here

International Thermal Research Ltd.

2431 Simpson Road, Richmond BC

Canada V6X 2R2

Toll Free: 1-800-755-1272

Table of Contents

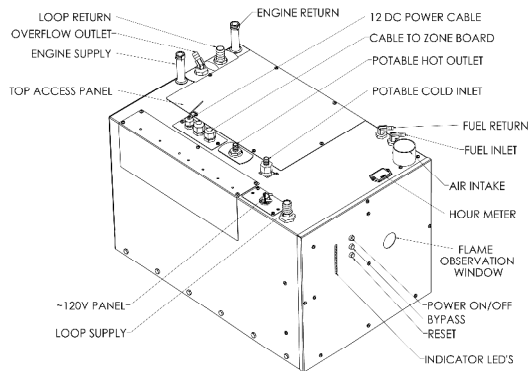
- Features of your OASIS Chinook Heating System.....5
- Operating Instructions for the OASIS Chinook.....6
- Turning the Power to the OASIS Chinook ON.....6
- Activating the Burner (Primary) and AC Heat (Secondary) from the Remote Operating Panel.....6
- Activating the Cabin Fan Heaters through the Thermostats.....7
- Activating the potable Hot Water.....7
- Activating the Engine Heat & Preheat Function.....7
- Functions of the Remote Operating Panel.....7
- Functions of the Heating Control Panel.....8
- Maintenance.....10
- Protecting the Heating system.....10
- Winterization.....11
- General Troubleshooting.....11
- Customer Service Contact.....12
- Warranty Information.....12

Operating the Oasis®

This manual describes the features, operation and maintenance of your new OASIS Heating System. READ THIS MANUAL AND SAVE IT FOR REFERENCE.

Features of Your OASIS Chinook Heating System

The OASIS Chinook uses a diesel burner (12 VDC) controlled by a multi-functional electronic controller as the primary source of heating coolant fluid (anti-freeze and water). Two 1500 Watt, 120 VAC immersion elements are used as secondary heat sources. The OASIS Chinook heats the coolant fluid to provide a source of heat for all hydronic space heating needs. It can also provide a supply of domestic hot water using the integral heat exchanger. The output temperature of the hot water is controlled by an adjustable thermostatic tempering valve located inside the heater and accessible through the service access panel on top of the heater.



Other features of the Chinook include:

- A high-temperature, stainless steel burner and stainless steel jacket.
- 7 US gallon welded stainless steel coolant tank that is insulated to minimize heat loss and optimizes heat recovery.
- Low coolant level switch on the tank.
- Never-run-dry coolant circulation pump protection
- Easy to install, and field serviceable with hookups and connections easily accessible from the top of the heater.
- Quiet operation and low power consumption.
- Low pressure fuel system with built-in fuel pump.
- Fuel efficient burner capable of burning a wide variety of diesel-based fuels.
- Exhaust has minimal smoke and smell.
- Fan assisted sealed combustion is designed to use outside combustion air.
- Simple, low amperage draw ignition.
- Electronically-controlled system with:
 - Automatic safety shutdown.
 - Manual and automatic-reset aquastats for safety overheat protection.
 - Patented, proprietary Flame Sensor.
- Remote, touch-activated, color control panel with ON/OFF switch for the diesel burner, AC emersion elements, engine heat and service diagnostics.
- Heater Control Panel with buttons for Power, Bypass, Reset, and indicator LED's for operational and diagnostic information;

NOTICE

As the user, you must be fully aware of the controls and operating features particular to your model of OASIS heater. This is essential for the proper function and life of your OASIS heater as well as protecting your warranty.

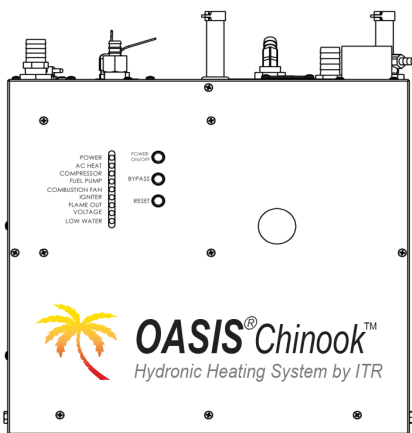
The serial number label on the top of the case provides model identification information through the first series of letters and numbers.

Operating Instructions for the OASIS Chinook Heater System

The OASIS Chinook heats coolant to a pre-set temperature and will automatically cycle to maintain this temperature. In response to a call for heat and/or hot water, the heated coolant is pumped through the heat exchanger and/or coach circulation loops by the integral circulation pumps.

Turning the Power to the OASIS Chinook Heater ON

- The OASIS Chinook's main Control Panel is located on the front of the heater. There are three push buttons: ON/OFF power, Bypass, and Reset. The power switch must be pushed (green power LED will turn ON) to supply DC power to the main control board. Power to the heater control board is required to be left ON during any period where heat is required.
- When the OASIS Chinook heater is shut down for any extended period or the season, it is recommended that the power be turned OFF.



NOTICE

Do not operate the OASIS Heating System until the system is filled with a suitable anti/freeze heat transfer solution and all trapped air has been purged from the system. Do not operate the OASIS inside an enclosed building.

Use only non-toxic propylene glycol based heat transfer fluid with additives generally recognized as safe "GRAS" by the FDA.

! DANGER

The OASIS exhaust is hot; do not park in areas such as tall dry grassy fields, as a fire may result.

Activating the Burner and Electric 120 VAC elements from the Remote Operating Panel

NOTICE

Your coach may be equipped with a "Silverleaf" control system. If a "Silverleaf" system is installed in your coach, please refer to the Silverleaf operating instructions for control of the Oasis heating system.

Activating the Burner (Primary Heat Source)

- The burner switch on the Remote Operating Panel controls the ON/OFF of the diesel burner (primary heat source). When the burner switch is turned ON, the diesel portion of the OASIS Chinook will turn ON after ten seconds. The Burner LED will turn ON when the burner has been activated. The burner will continue to operate until the heat transfer fluid (coolant) in the heater reaches the set operating temperature range. At this point, the burner will turn OFF. If the temperature of the coolant in the heater drops below the set operating temperature range, the burner will again fire and continue until the burner switch on the remote panel is turned OFF or the set operating temperature range is again reached. If the burner switch on the remote panel is turned OFF, the burner stops and the heater enters a two minute cool-down stage prior to completely shutting down. The combustion fan will run during this cool-down period.

Activating the AC Immersion Element(s) (Secondary Heat Source)

- When AC power is available, place the AC heat switch on the Remote Operating Panel to either the AC I (one electric element) or the AC I & AC II (two electric elements) position. The AC Heat (green) LED will turn ON indicating the AC element(s) are energized and

the coolant in the heater is being electrically heated. The electric elements will continue to operate until the coolant in the heater reaches the set operating temperature range; at this point the elements will turn OFF and the AC Heat (green) LED turns OFF. If the coolant should cool down below the set operating temperature range, the AC elements will again be energized and will continue to heat the coolant until either the AC switch on the remote panel is placed in the OFF position or the operating temperature range is again reached. If the AC element switch on the remote panel is turned OFF, the AC elements are de-energized and the AC Heat (green) LED turns OFF.

Activating the Burner and AC immersion Element(s) Jointly

- Turn the burner switch ON and place the AC heat switch on the Remote Operating Panel to either the one element or the two element position. The Burner and AC Heat (green) LED's will turn ON indicating the diesel burner and AC element(s) have been selected.

Activating the Fan Heaters through the Thermostats

(Burner or AC Heat or Engine Heat Source Available)

- Any thermostat connected to the Zone Control Board and calling for heat will cause the cabin fan controlled by that thermostat to be enabled. At the same time, the circulation pump for that zone will activate. The OASIS Chinook has a built-in aquastat that prevents the cabin fans from blowing cold air. Once the room temperature has reached the temperature called for by the thermostat the cabin fans and circulation pump will turn off.

Activating the Potable Hot Water

When a heat source has been selected (i.e. Burner, AC, Engine) and when heat is available the OASIS Chinook will respond to a call for domestic hot water. The production of the potable hot water is **continuous** with the Burner operation but is **limited** using AC heat, heat from the electric elements.

NOTICE

The domestic water pump is not a part of, nor is it controlled by the OASIS Chinook.

Activating Engine Heat & Engine Pre-heat (If Option is installed)

Pre-heating the Engine

- Turn the engine preheat switch on the Remote Operating Panel to the ON position with the burner or AC switch on. The engine preheat pump and coolant pump will be activated once the OASIS Chinook is at its set operating temperature range. The engine will be warmed prior to starting once heated coolant continues to circulate through the engine heating loop.
- Note: An engine preheat pump is optional and can be installed in the OASIS Chinook

Engine Heat Used for Domestic Water or Space Heating

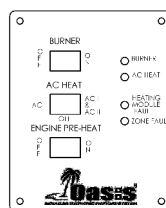
NOTICE

To use engine waste heat make sure the burner switch on the remote panel is in the ON position. The OASIS Chinook will not make use of the engine waste heat if the burner switch on the remote panel is in the OFF position.

- Start the vehicle engine and let it heat up to the normal operating temperature. Turn the burner switch on the Remote Operating Panel to the ON position. The OASIS Chinook will come up to the set operating temperature range and will cycle OFF. The heat from the vehicle engine will be transferred to the domestic water and space heating loop. Heat will continue to be available without the burner operating as long as the engine continues to run.

Functions of the Remote Operating Panel

The OASIS Chinook Remote Operating Panel contains an ON/OFF burner switch, a triple position AC element switch, an (optional) ON/OFF engine pre-heat switch to control the engine pre-heat pump, and four LED's indicating burner activation, AC element activation, module fault, and zone fault.



Burner Switch (Primary Heat Source)

The burner switch on the remote panel controls ON/OFF activation of the diesel burner. The Burner LED will turn on when the diesel burner has been activated. The burner LED will stay on even when the heater has reached maximum operating temperature and the burner has cycled off.

AC Element Switch (Secondary Heat Source)

- The triple position AC element switch controls activation of a single 120 VAC immersion element or both 120 VAC immersion elements jointly. The AC heat LED will turn ON to indicate when the element(s) have been activated. The AC heat LED will turn off when the heater has reached maximum operating temperature and the AC electric elements have cycled off
- If required, the AC electric element(s) can operate together with the diesel burner

Engine Pre-Heat Switch (If Option is installed)

- The engine pre-heat switch (optional) controls activation of the engine pre-heat pump (optional). The engine pre-heat pump will not function unless the coolant in the OASIS Chinook has achieved a preset temperature

Burner LED (Green)

- When ON, indicates the diesel burner has been activated. This LED remains ON even if the heater cycles off.

AC Heat LED (Green)

- When ON, indicates the 120 VAC immersion element(s) are activated. When the heater reaches its set temperature the element(s) will shut off and the LED will also turn OFF

Module Fault LED (Red)

- When ON, indicates the OASIS Chinook has faulted. The specific fault can be identified by examining the OASIS Chinook Control Panel located on the front of the OASIS Chinook. An LED will indicate the specific fault; for information regarding a fault refer to the description of the OASIS Chinook Control Panel for further details.

Zone Fault LED (Red)

When ON, indicates a space heating zone(s) has faulted. The specific fault can be identified by examining the Zone Control Panel located in the same location as the OASIS Chinook-S. There are indicator LED's on the panel that indicate the problem. Refer to the description of the Zone Control Panel for further details.

Functions of the Chinook Control Panel

- The OASIS Chinook Control Panel contains three push buttons: power ON/OFF, Bypass, and Reset. In addition, it contains nine LED's indicating Power, AC Heat, Compressor, Fuel Pump, Combustion Fan, Igniter, Flame Out, Voltage and Low Water.

Power Button

- The power button turns ON/OFF the power to the control board. The Power LED (green) turns ON when the power to the control board is ON.

Bypass Button

- The bypass button is for **authorized service personnel only**.

Reset Button

- The reset button when pressed resets the control board.

Power LED (Green)

- The power LED (green) turns ON when the power to the control board is ON. The LED flashes when the OASIS Chinook is in Bypass mode.

AC Heat LED (Green)

- The AC Heat LED (Green) turns ON when AC power is supplied to the coach even if the system has not reached maximum operating temperature. The AC Heat LED on the control panel of the heater does not indicate the function of the electric element(s).

Compressor, Fuel Pump, Combustion Fan, Igniter (Green)

- The compressor, fuel pump, combustion fan, and igniter LED's (Green) turn ON when the component is ON, and will flash if the component is electrically open or shorted.

Flame Out (Red)

- The Flame out LED (Red) turns ON when a flame fault has been detected.

Voltage Fault (Red)

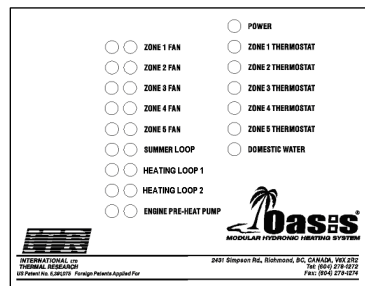
- The voltage fault LED (Red) turns ON when a voltage fault has been detected.

Low Water (Red)

- The Low Water LED (red) turns ON when a low coolant level in the OASIS Chinook has been detected.

Functions of the Zone Control Panel

- The Zone Control Panel contains seven green LED's for *Power, Zone 1, 2, 3, 4 and 5 Thermostat(s), and Domestic Water.*
- It also contains nine matched pairs of red/green LED's for *Zone 1, 2, 3, 4 and 5 Fan(s), Summer Loop, Heat Loop 1, Heat Loop 2, and Engine Pre-heat Pump.*



NOTICE

The "pump by-pass" switch located on the top of the zone control board is used for diagnostic purposes. This switch should remain in the "OFF POSITION" during normal operation

Power LED (Green)

- The power LED turns ON when the power to the Zone Control Board is ON.

Zone 1, 2, 3, 4, 5 Thermostat LED's (Green)

- The Zone # LED turns ON when the thermostat in that zone is calling for heat.

Domestic Water LED (Green)

- The domestic water LED turns ON when there is a call for domestic water heat.

Zone 1, 2, 3, 4, 5 Fans, Summer Loop, Heat Loop 1, Heat Loop 2, Engine Pre-heat Pump Paired LED's (Red/Green)

NOTICE

Even though there's a call for heat, the zone fan LED's, summer, heat loop and engine pre-heat pump LED's will not turn ON until the coolant inside the OASIS Chinook is warm enough to provide sufficient heat.

- The nine paired LED's indicate the function of the specific devices. The green LED will turn ON when the device is operating normally. The red LED turns ON if a fuse has been blown.

Potable Water and Space Heating Priority

- By default, the Zone Control Board is shipped with the heating priority set for potable hot water and space heating to operate simultaneously. This means that when there is a call for potable hot water, space heating will also be available. If the user wishes to support a high flow rate potable water demand without the space heating function a "Priority" jumper located towards the top left of the Zone Control Board can be set to accommodate this feature.

Maintenance

Customer Monthly Maintenance: Check the following and correct as required:

- Coolant hoses and fittings for leaks and integrity.
- Check coolant level in the overflow bottle (3/4 full when hot). **Fill only when the system is COLD and in small quantities only to prevent overfilling. Never mix coolant types. If coolant is used for top-ups, always the same coolant that is in the heating system.**
- Exhaust fittings, connections, tubes for leaks, and integrity.
- Exhaust and air-intake checked for obstructions.
- Fuel lines, fittings for leaks and integrity.
- External fuel filter for clogging.

Annual Service Requirements: Perform the following:

Prior to operation for the season, the Oasis heating system should be serviced by a trained and or knowledgeable individual or service center.

- Only personnel familiar with the heating system should perform maintenance and service. It is recommended that the dealer be contacted for this service. If not available, contact ITR for information on service resources.
- As a general guide, the regular maintenance items such as the igniter, fuel filters (internal and external), and air filter (internal) should be replaced as opposed to inspected and cleaned. Their performance may be deteriorating and/or their remaining service life ending without any apparent visual signs or operating symptoms.
- The major components such as the air compressor, fuel pump, fuel nozzle, and combustion air fan should be examined for wear and should be replaced by the service technician as required.
- The combustion tube should be inspected by the service technician for wear and replaced if necessary. To access the combustion tube, the front panel of the OASIS Chinook must be removed along with the burner box cover. The fuel block must then be removed from its mounting position. Finally, the burner and counter-flow tube must be taken out by removing the nuts holding the burner box in position. If the tube is satisfactory, a thorough cleaning of the tube and burner chamber should be performed by blowing out and vacuuming any ash and carbon buildup. Any build up on the surface of the burner chamber will cause the heater to lose efficiency.
- Regular inspection and maintenance is the only way to ensure safe, reliable and efficient operation of your heating system.

Protecting the OASIS Chinook Heating System

NOTICE

Protect the OASIS Chinook from temperature extremes and any dusty, dirty, corrosive environment.

! DANGER

Protect the system from cold temperatures and corrosion by using a proper mixture of anti-freeze and water. Use only a non-toxic, propylene glycol based coolant with additives generally recognized as safe "GRAS" by the FDA in the OASIS Chinook. Read and follow the anti-freeze manufacturer's instructions for the type of anti-freeze and mixture recommended for your application.

NOTICE

Note that any potable water in the Oasis® Chinook will freeze in cold temperatures and will damage the internal parts (including the heat exchanger). For winterization, it is recommended that the potable water system be flushed with winterizing antifreeze that is safe for use in the potable water lines. Alternatively, the potable water lines can be blown out with air. Note that this method is not as reliable as using winterizing antifreeze.

General Troubleshooting

Ensure the OASIS Chinook has both sufficient battery voltage, proper ground and coolant level as the heater is designed not to allow operation if either are incorrect (indicated by the Voltage LED or Low Water LED on the front of OASIS Chinook Control Panel) .

Burner Does Not Start Up

- OASIS Chinook connected to 12 VDC power?
- Power button on OASIS Chinook Control Panel pushed ON? Power LED lit on OASIS Chinook Control Panel?
- Burner switch on Remote Operating Panel is ON? Burner LED lit on Remote Operating Panel?
- Main fuse or circuit breaker blown or tripped?

AC immersion elements do not activate

- Coolant level low? Low water LED lit on OASIS Chinook Control Panel?
- Coach connected to appropriate power source? AC Heat LED lit on OASIS Chinook Control Panel?
- OASIS Chinook connected to 120 VAC power? AC Heat LED lit on OASIS Chinook Control Panel?
- Circuit breaker(s) tripped?
- AC switch on Remote Operating Panel placed in the one or two element position? AC Heat LED light on Remote Operating Panel?

Burner Starts but Flame Faults

- Fuel nozzle plugged or dirty
- Fuel supply present and adequate?
- Air-intakes or exhaust not blocked or obstructed?
- Air in fuel line (white smoke from exhaust or popping sound from exhaust)?
- Fuel filter (external) dirty?
- Air in the fuel filter? Fuel filter not filled with fuel after being changed?

Burner Starts but Zone Faults

- Power LED light on Zone Control Panel glowing green?
- Specific component LED's glowing green on the Zone Control Panel?
- Fuse blown for one of the pumps or cabin fans on the Zone Control Board?

Customer Telephone / Email Service

If you have a service problem, first check the *Troubleshooting* section of this *Owner's Manual* to determine if your problem is addressed. Also ensure you are familiar with the design and installation setup. When calling ITR or the Authorized Service Dealer with a problem, have the following information at hand:

- model number and serial number of the heater
- a detailed description of the problem
- your *Installation Manual* and/or *Owner's Manual*

You must obtain written approval from ITR or the Service Dealer for any warranty repair before it is undertaken. All repairs done under warranty are subject to the terms and conditions of the flat-rate time sheet. There is no charge for help or service information given over the telephone or by fax or email. However, any informal advice or recommendation from ITR employees or their dealers is given only in good faith as an accommodation to the customer. Such information should not be relied upon without an independent verification of its applicability to the customer's particular situation. For further information contact:

IN CANADA:

2431 Simpson Road
 Richmond, BC, Canada V6X 2R2
 Tel: 800-755-1272 or 604-278-1272
 Fax: 604-278-1274
 Email: info@itrheat.com

IN THE UNITED STATES:

5305 NE 121st Ave., Suite 401
 Vancouver WA USA 98682
 Tel: 800-993-4402 or 360-993-4877
 Fax: 360-993-1105

Warranty Information

Warranty cards should be filled in completely, and returned to ITR within 30 days of the initial "in-service" date. The warranty card is on-line (www.itrheat.com) and can be emailed to info@itrheat.com

General Warranty

ITR warrants all OASIS® branded heaters and all accessories or other supplied components with the original purchase to be free of defects in materials and workmanship under design usage and service conditions for ONE (1) year from the heater "in-service" date. Warranty replacement parts are covered for the remainder of the heater's warranty.

Limited Warranty

The following warranties are in lieu of all other warranties and conditions. ITR makes no other warranties, representations, or conditions, express or implied. Expressly excluded are all implied or statutory warranties or conditions of merchantability of fitness for a particular purpose, and those arising by statute or otherwise in law or from dealing or trade usage.

The stated express warranties are in lieu of all liabilities or obligations for damages arising out of or in connection with the delivery, use, performance, or licensing of the Product or in connection with any services performed. In no event whatsoever will ITR be liable for indirect, consequential, exemplary, incidental, special, or similar damages, including but not limited to, lost profits, lost business revenue, failure to realize expected savings, other commercial or economic loss of any kind or any claim against ITR by any other party arising out of or in connection with the sale, delivery, use, performance, or repair of the Product, or in connection with any services performed, even if ITR has been advised of the possibility of such damages, whether based upon warranty, contract, or negligence. ITR's maximum liability shall not in any case exceed the contract price for the Products claimed to be defective.

No one is authorized to increase, alter, or enlarge ITR's responsibilities or obligations under these warranties.

Owner's Responsibilities

If any warrantable failures occur before the expiration of the warranty, the Owner must give notice of such failures to ITR or to the authorized ITR dealer from which the Product was originally purchased, and obtain written approval for the warranty repair.

The Owner is responsible for the following costs in case of a warrantable failure:

- shipping and insurance costs to deliver the defective Product to the dealer or ITR (if necessary)
- all repairs made to equipment ancillary to the Product, including the vehicle, coach engine, and other associated components of the vehicle in which the Product is installed
- lodging, meals, and other incidental expenses incurred by the Owner as a result of a warrantable failure
- "down time" expenses and all business costs and losses resulting from the warrantable failure

Not Covered Under Warranty

Warranty will be voided or not extended in the following circumstances:

- Owner fails to notify ITR or the authorized ITR dealer from which the Product was originally purchased about a warrantable failure and to obtain prior written approval for warranty repair.
- Original serial number on Product or electrical control board has been removed, altered, or is unreadable.
- Product has been modified or uses non-standard parts not approved by ITR.
- Product has been abused (such as by dropping it), damaged, vandalized, or has received improper maintenance.
- Product has been run dry or operated without appropriate antifreeze; causing damage to the heat exchanger, pump seals, etc.
- Product has been exposed to an environment detrimental to its effective operation, such as excessively wet, dirty, or hot areas.
- Parts or Products installed or used in a manner contrary to ITR's printed instructions without ITR's prior written permission.

- Normal wear and tear of parts, including but not limited to, fuel filter, air filter, nozzles, fuses, igniter, electrical motors, fuel pumps, air compressors, and carbon brushes.
- Product malfunctions due to improper installation of parts or Products, including but not limited to malfunctions causing inadequacies in air, fuel, or coolant flow; voltage problems due to improper wiring; and shock or vibration.
- Progressive damage to the engine or vehicle caused by failure of the Product or an improper installation.
- Diagnosis or repairs to fix problems not directly related to the Product or due to empty fuel tanks or poor fuel quality, fuel additives, acidic water, electrolysis, or any chemical reactions.
- Travel time and expenses by an ITR dealer.
- Removal and re-installation expenses for the ITR heater.
- Parts or products no longer within the manufacturer's warranty period.

Returns

If a service call by an authorized service person is not feasible, the Owner must do the following to obtain warranty service:

1. Immediately contact ITR (or your Dealer) and provide a full description of the problem.
2. Obtain (in writing) a Return or Repair Material Authorization (RMA) number from ITR for any warranty, return, repair, or service. ITR will refuse any return package and will not authorize service or repairs without a RMA number. (For repairs by authorized Dealers, the dealer must obtain an authorized RMA number from ITR before warranty work commences.)
3. When shipping your Product, pack securely, show the RMA and serial number of the Product on the outside of the shipping container, and ship prepaid and insured.
4. Provide written details of the problems, date of installation, proof of purchase, and a return address.

After repair or replacement of the Products still under warranty, ITR will pay return shipping charges. Factory repairs or replacement will be done as quickly as possible, with an estimated turnaround of five working days. All repairs done under warranty are subject to the terms and conditions of the flat-rate schedule.

OWNER'S SERVICE LOG:

Date	Service Performed	Service Center



International Thermal Research Ltd.

Copyright © 2018 – All Rights Reserved

